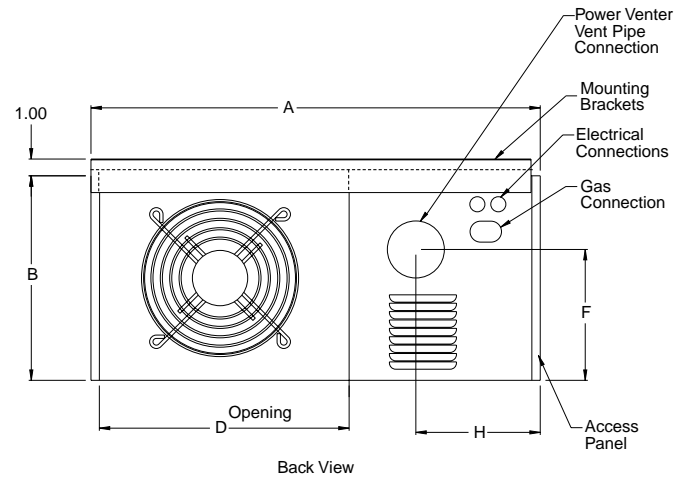
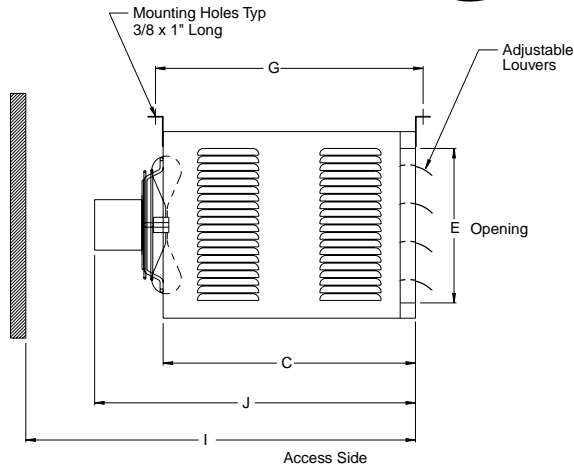


SUBMITTAL DATA

gas-fired unit heaters

model HD



Dimensions (inches)

Models	HD30	HD45	HD60	HD75
A	26.8	26.8	26.8	26.8
B	12.2	12.2	18.0	18.0
C	16.5	16.5	16.5	16.5
D	14.9	14.9	14.9	14.9
E	10.1	10.1	15.9	15.9
F	7.5	7.5	10.7	10.7
G	18.5	18.5	18.5	18.5
H	7.6	7.6	7.8	7.8
Gas Connection	1/2	1/2	1/2	1/2
I	34.5	34.5	34.5	34.5
J	22	22	25	25
Fan Diameter	10	10	14	14
Approx. Shipping Weight (lbs.)	55	60	80	85



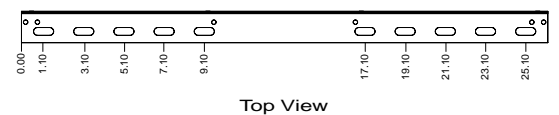
Certified for Residential and Commercial Use

Performance

Models	HD30	HD45	HD60	HD75	
Btu/Hr Input	30,000	45,000	60,000	75,000	
Btu/Hr Output	24,000	36,000	48,000	60,000	
Entering Airflow (CFM)	505	720	990	1,160	
Outlet Velocity	523	749	653	769	
Air Temp. Rise (°F)	44	46	45	48	
Mounting Height (Max ft.)	10	10	12	14	
Heat Throw (ft.)	25	27	36	38	
Motor Data	Horsepower	1/25	1/15	1/12	1/12
	RPM	1,550	1,550	1,625	1,625
	Type	S.P.	S.P.	P.S.C.	P.S.C.
	Amps	1.5	2.4	1.2	1.2
Unit Total Amps	2.8	3.7	2.5	2.5	
Vent Diameter (in.)	3	3	3	3	

Mounting

1" - angle, mounting brackets are slotted to accommodate joists on 16" or 24" centerlines.



Clearances to Combustibles

Top and Bottom	1"
Vent Connector	4"
Access Side	18"
Non-Access Side	1"
Rear	18"

Control Codes

Control System Description	Control Code No.	Service Voltage	Thermostat Voltage	Type of Gas
Single Stage, Hot Surface Ignition, 100% Shut-Off, Multiple Retry with Auto Reset from Lockout. - Utilizes a single-stage combination gas control with built-in ignition control. Gas is lit with a hot surface igniter on call for heat.	34 74	115V 115V	24V 24V	natural propane

- Ratings shown are for elevation up to 2000 feet above sea level (in Canada, refer to rating plate). For elevations above 2000 ft., ratings should be reduced by approximately 4% for each 1000 ft. above sea level.
- Mounting Height is measured from the bottom of the unit.
- Heat Throws are calculated at 65°F ambient and unit fired at full rated input. Throws for HD30 and HD45 are based on 8-foot mounting heights and at 10-foot heights for HD60 and HD75.
- S.P. = shaded pole, P.S.C. = permanent split capacitor